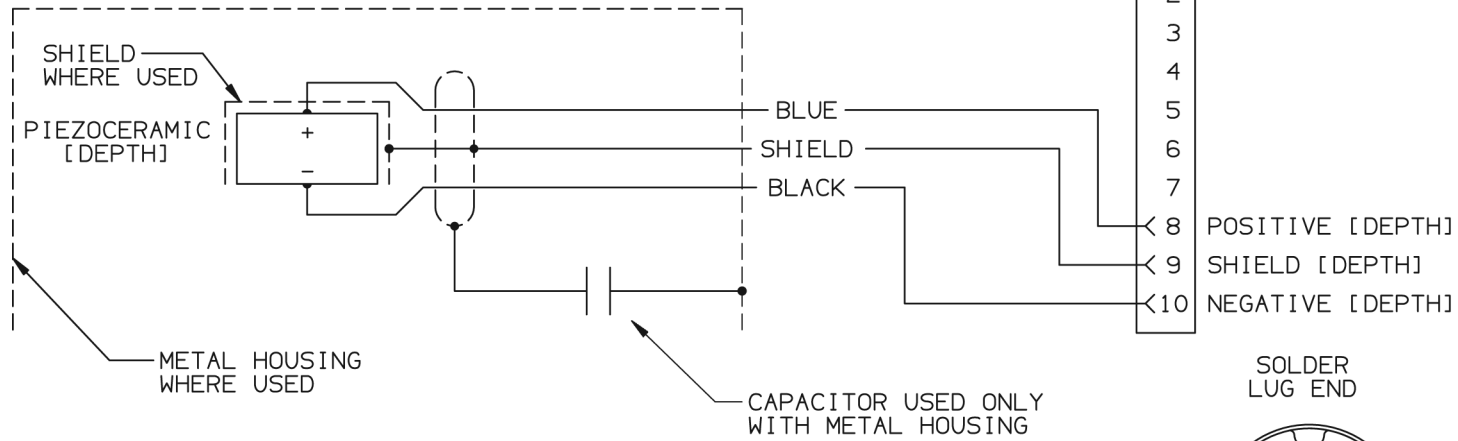
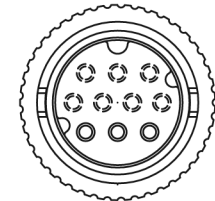
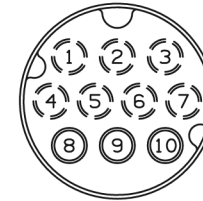


91-234 REV 01A



SOLDER LUG END

CONTACT END



3/10 PIN FEMALE
FURUNO [DEPTH]